

ACCENT LIGHTING  
**TOUCHSTONE**<sup>®</sup>



PRODUCT  
GUIDE



# Architectural

*For uplighting, downlighting,  
and wall washing*



## **A212 Small Flood**

Solid brass (lifetime warranty) or solid aluminum in Bronze, DesertSand, White or RedRock finish (10-year warranty). Includes 7" SuperStake, domed lens, stainless steel fasteners, adjustable visor, 36" lead and premium grade 35w halogen lamp.



## **A232 Wide Flood**

Solid aluminum in DesertSand, Bronze or RedRock finish (10-year warranty). Includes 7" SuperStake, stainless steel fasteners, visor, 36" lead and premium grade 35w halogen or xenon lamp.



# Garden, Landscape and Walkway

*For a more direct, downward illumination in  
gardens, walkways, boulder outcroppings and steps*



## **The Coppertino and Commino Series**

Both series feature our "Off-Set/Open-Face" design that is made from one-piece construction, has a lower center of gravity, can operate higher wattage lamps and provides for easy service.

### **G384 Coppertino**

This sleek, open-faced off-set design casts a 15 ft. diameter of light. Includes 10 watt premium grade xenon lamp, stainless steel socket bracket and fasteners, adjustable riser boot, 36" lead and 7" SuperStake. Available in solid copper, nickel plated copper (lifetime warranty), DesertSand, RustSteel or RedRock (10-year warranty).



# Garden, Landscape and Walkway

*For a more direct, downward illumination  
in larger areas*



## **G486 Commino**

Inconspicuous design features one-piece construction—no assembly required. Powerful 35 watt xenon lamp casts an extra wide 22 ft. diameter of light. Includes 35 watt premium grade xenon lamp, stainless steel socket bracket and fasteners, riser boot, 36" lead and 7" SuperStake. Available in solid copper, nickel plated copper (lifetime warranty) and RustSteel (10-year warranty).

# Area, Path and Walkway

*For a softer, outward illumination*



The CenterStem Series fixtures feature a balanced center of gravity with tool-less sealed lamp housing. Features an extra heavy-duty metal construction designed for high traffic areas, adjustable riser height and removable shielding ring.



## **GC578 CenterStem**

5" diameter hood with 24" riser. (12" tall riser with 10 watt xenon lamp recommended). Includes 10 watt premium grade xenon lamp, adjustable riser, shielding ring, 36" lead and 7" SuperStake. Available in solid copper (lifetime warranty) and RustSteel (10-year warranty).



## **GC1125 CenterStem**

11" diameter hood with 30" riser. (20" tall riser with 20 watt xenon lamp recommended). Includes 20 watt premium grade xenon lamp, adjustable riser, shielding ring, 36" lead and 17" SuperStake. Available in solid copper (lifetime warranty) and RustSteel (10-year warranty).

# Area, Path and Walkway

*For a softer, outward illumination*



## **GC978 CenterStem**

9" diameter hood with 28" riser. (18" tall riser with 20 watt xenon lamp recommended). Includes 20 watt premium grade xenon lamp, adjustable riser, shielding ring, 36" lead and 7" SuperStake. Available in solid copper (lifetime warranty), DesertSand and RustSteel (10-year warranty).



## Specialty

*Compliment outdoor cooking areas*



### **GR100N Grill and Work Surface Lights**

Brushed nickel finish with on/off switch. Adjustable "goose neck" design allows for easy fixture movement. Available in fixed or clamp mount. Includes 20 watt premium grade halogen lamp and 60" lead.

## Specialty

*For highlighting water features and uplighting*



### **W240V Submersible and Hardscape**

Can be used as a submersible fixture in water features or mounted in-ground as an uplight in hardscape areas. Features solid brass construction, stainless steel fasteners, glass lens, 20 ft. lead and removable mounting bracket. (Available with or without visor).



### **AW510 Well Light**

Poly housing reverses for flush or angled visor mounting. Features adjustable stainless steel brackets and premium grade PAR36 35 watt halogen lamp and 60" lead.

# Deck, Fence and Wall

*Downward illumination*



## **D228 Deck, Wall and Stairway**

Ideal for deck surfaces, stairways and shorter wall surfaces. One piece construction features open face design. Includes a 10 watt premium grade xenon lamp and 60" lead. Available in solid copper or solid brass (lifetime warranty), solid aluminum in Bronze, RedRock, Nickel, White or plated copper finish (10-year warranty).



## **D225 Half Moon**

For fences and shorter wall surfaces, the two-piece cast aluminum construction allows for fixture to be recessed, features a sealed front face plate. Includes a 10 watt premium grade xenon lamp, 60" lead and stainless steel fasteners. Available in Bronze, Nickel, White, Gray or plated copper finish (10-year warranty).



# Railing, Arbor and Step

*Downward illumination*



## **F5235 Fence and Sconce**

Ideal for metal, vinyl and wooden structures. Aluminum construction, features back lit valance and removable top cap for optional upward illumination, 60" lead and premium grade 10 watt xenon lamp. Available in Bronze, RedRock, White or Black finish (10-year warranty).



## **D226 Louvered**

For steps and shorter wall surfaces, the two-piece cast aluminum construction allows for fixture to be recessed, features a sealed front face plate. Includes a 10 watt premium grade xenon lamp, 60" lead and stainless steel fasteners. Available in Bronze, Nickel, White, Gray or plated copper finish (10-year warranty).



## Specialty

*Downward illumination*



### **HC125 Hanging Copper**

Softly downlight from small tree branches, pergolas and arbors. Features 25 ft. lead, solid copper and brass construction, 10 watt premium grade xenon lamp and brass mounting hook.

### **SuperStake SS17**

17" SuperStake standard on G1259 and GC11125. Features three-piece poly resin construction with 1/2" NPT threaded top cap, 2" x 17" poly tube (can be custom cut) and bottom spear.



### **SuperStake SS7**

7" SuperStake standard on all ground mount fixtures (except G1259 and GC11125). Features one-piece poly resin construction with 1/2" NPT thread, extra large heavy duty shovel flange and bottom spear.



**rubbermount™**  
SUPERSTAKE

# Mounting System



RubberMounts are made from tough, flexible rubber with 1/2" NPT brass inserts. Any fixture or enclosure can be easily attached to a RubberMount.

Super-strong PVC tubes or ground stakes that hold up in all types of weather and soil conditions attach to the other end of the RubberMount. Stands up to lawn mowers, garden hoses, ladders, landscapers, kids, pets—all kinds of abuse.



**17" RubberMount SuperStake**  
(low voltage)  
Part No. RMSS17-K

**17" RubberMount SuperStake**  
(120-volt)  
Part No. RMSS-3-17-K

**Universal Mount RubberMount**  
Part No. UMRM

**7" RubberMount SuperStake**  
Part No. SS7RM-K

**Dock  
and Step**  
*Solar/wireless*

**H2**  
**LED**



### **Why dock lights?**

Our marine grade LED fixtures help secure your family's waterfront. H2 LED provides an excellent marking device by illuminating docking access without "spotlighting or skip." Virtually maintenance free, H2 LED is your safe and cost effective lighting solution for your waterfront safety and security from TouchStone.



### **H2-S/3**

The H2 LED S-3 features a heavy-duty poly frame with clear acrylic lens that houses three sealed high efficiency LEDs. Designed for surface mount, each fixture automatically comes on at dusk and provides 8-12 hours of illumination. Solar powered, no wiring, 30,000 hour life, includes two stainless steel screws.



Recommended spacing 8-12'  
Dimensions 10" x 2" x 2"

Available in  
White, Tan  
and Gray



# Marina and Pier

Available in solar/wireless  
or 12 volt

# H2 LED



## Commercial and Residential Applications

For dock slips, fingers and gangways



### H2-S/14 Solar

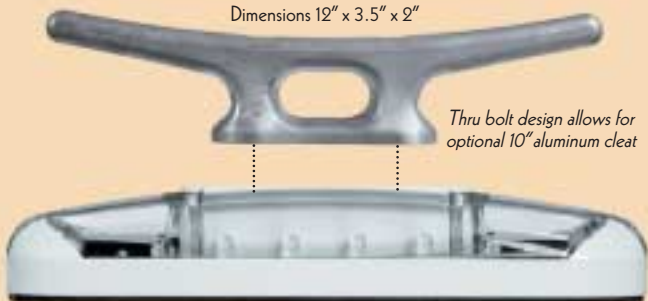
- Wireless
- No operating costs
- One piece heavy-duty metal frame
- Heavy-duty sealed acrylic lens with 14 LEDs
- Easy installation
- 30,000 hour battery life
- Includes 2 stainless steel mounting screws

### H2-12V/20 12 volt

- 12 volt operates in shaded areas regardless of weather conditions
- Consistent operation (all on/off at the same time)
- Ability to control on/off time
- Horizontal or vertical mounting
- Heavy-duty sealed acrylic lens with 20 LEDs
- One piece heavy-duty metal frame
- Includes H-Conn reusable wire connector
- 50,000 hour life LEDs
- Includes 2 stainless steel mounting screws

Dimensions 12" x 3.5" x 2"

*Thru bolt design allows for optional 10" aluminum cleat*



# Transformers, Connectors and Cable



## Cable Connectors H-Conn

- For fixture connections and wire splices
- Solid brass with stainless steel set screws
  - Silicone filled
  - Fully insulated
  - Reusable
  - Can be surface mounted or buried
  - Holds up to 10 AWG
  - 12 volt only



## Cable Connectors HT-Conn

- For "T" and "Hub" connections
- Solid brass with stainless steel set screws
  - Silicone filled
  - Fully insulated
  - Reusable
  - Holds up to 1-#8 AWG and 4-#10AWG or 1-#8 AWG and 8-#16AWG
  - 12 volt only



## Transformers

- UL Listed
- Multi-tap 12-15v or 12-22v settings
- Large Euro-tap style terminal lugs
- Available in 200w, 300w, 600w, 900w, 1200w and 1500w
- Stainless steel or powder-baked (paintable) black enclosures
- Magnetic circuit breakers
- Modular design allows for plug-in photo-cell and timer options
- Digital timer with battery backup available
- In-ground 300w and 600w models
- 10-year warranty (powder-baked) lifetime warranty (stainless steel)



## Cammo Cable

- Features footage used marking every foot.  
Available in:  
14/2 AWG Lt. Brown  
12/2 AWG Brown or White  
10/2 AWG Tan or White  
8/2 AWG Blue

25 ft. 16/2 AWG  
"whips" for "hub"  
style wiring method.

Visit our website where expanded sections on lighting ideas, packages and products will show you which lights are best for you.

